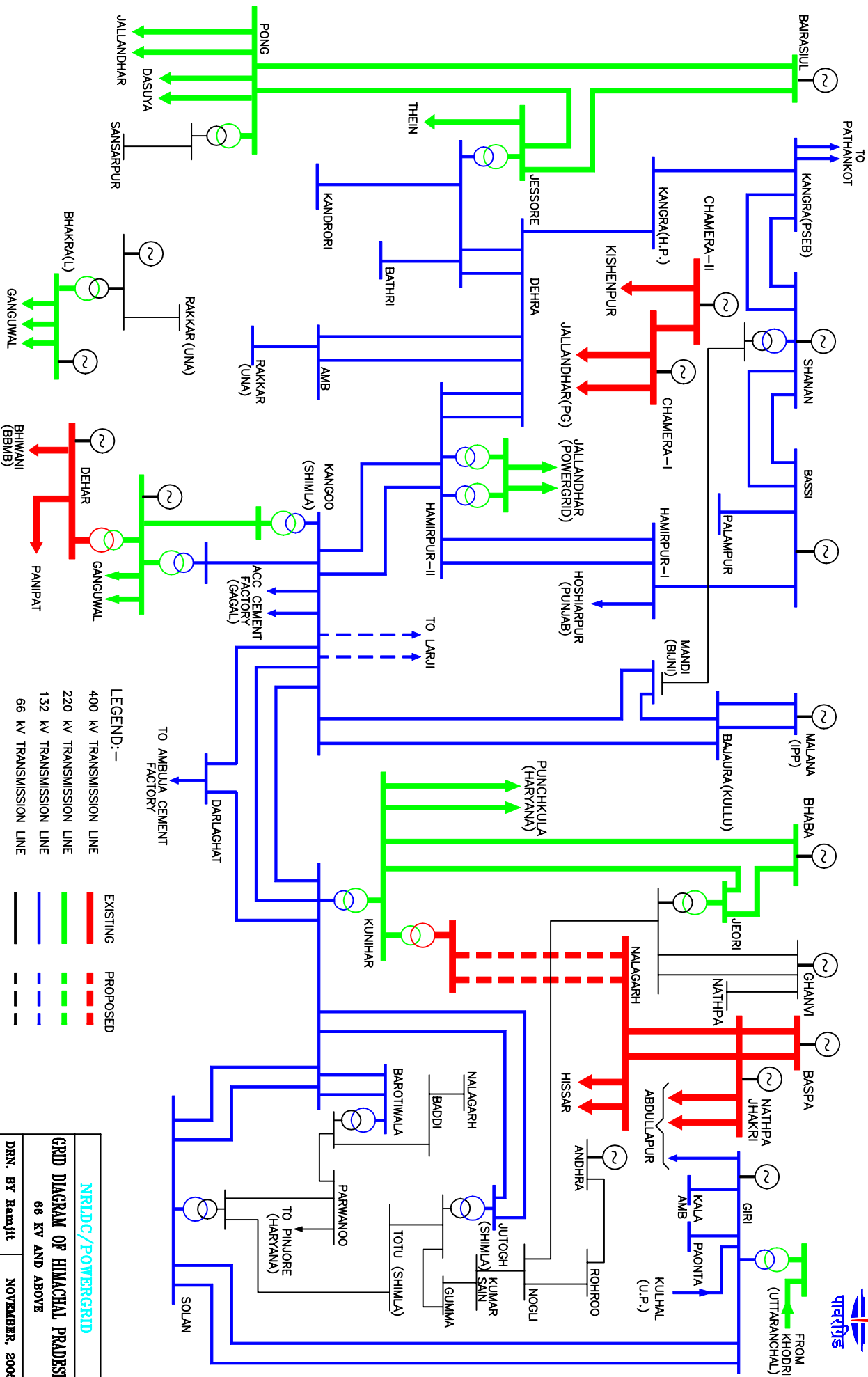
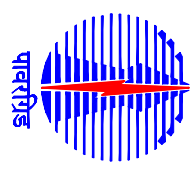


# GRID DIAGRAM OF HIMACHAL PRADESH



**LEGEND:-**

400 kV TRANSMISSION LINE	EXISTING	PROPOSED
220 kV TRANSMISSION LINE	<span style="color: green;">—</span>	<span style="color: green;">- - -</span>
132 kV TRANSMISSION LINE	<span style="color: blue;">—</span>	<span style="color: blue;">- - -</span>
66 kV TRANSMISSION LINE	<span style="color: black;">—</span>	<span style="color: black;">- - -</span>

**NRIDC/POWERGRID**

**GRID DIAGRAM OF HIMACHAL PRADESH**  
66 KV AND ABOVE

DRN. BY Ramjit NOVEMBER, 2005