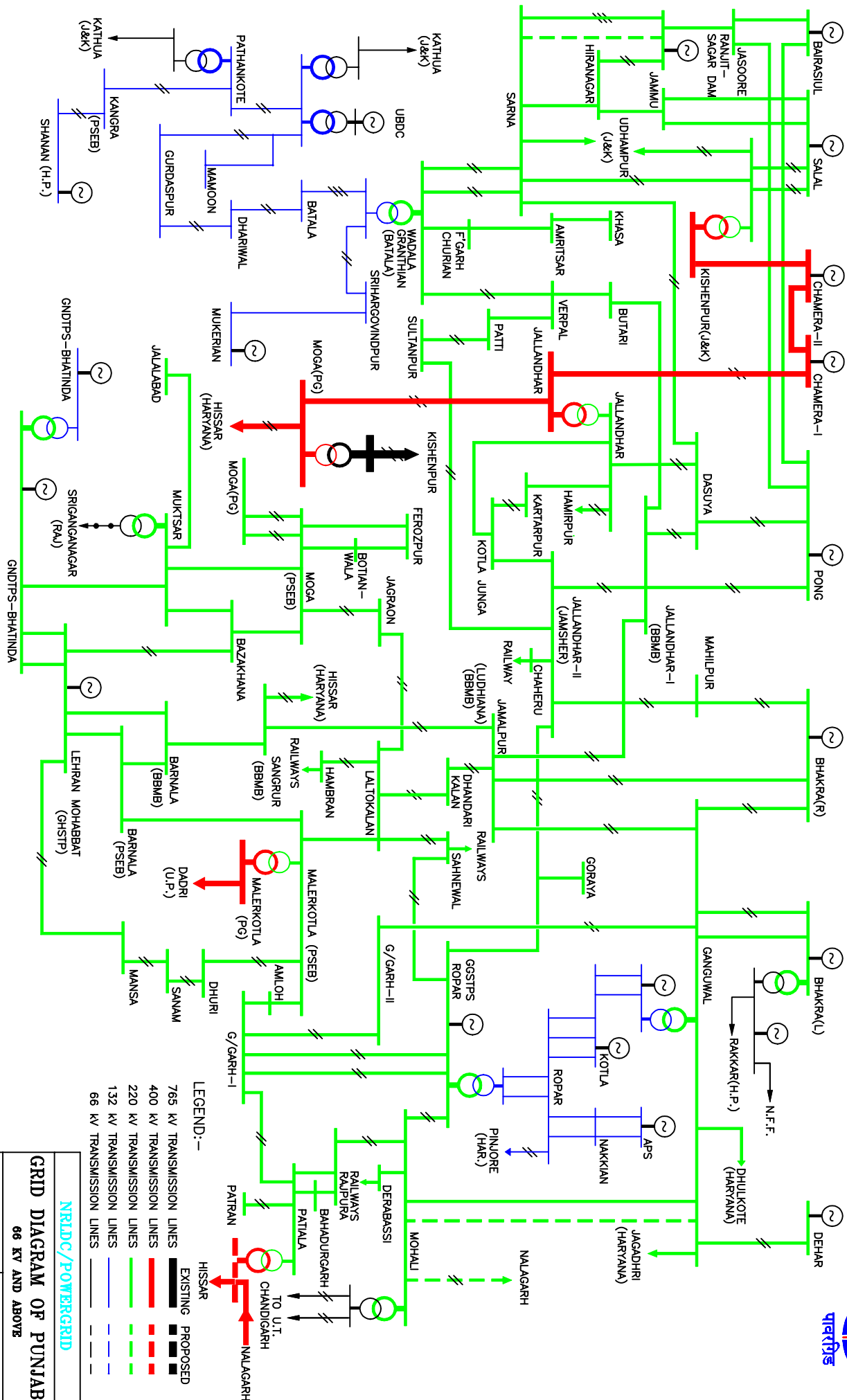
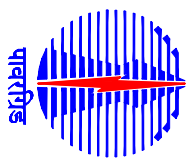


GRID DIAGRAM OF PUNJAB



LEGEND:-

765 kV TRANSMISSION LINES	EXISTING	PROPOSED
400 kV TRANSMISSION LINES	—	—
220 kV TRANSMISSION LINES	—	—
132 kV TRANSMISSION LINES	—	—
66 kV TRANSMISSION LINES	—	—

NRDC/POWERGRID

GRID DIAGRAM OF PUNJAB

66 KV AND ABOVE

DRN. BY Ramjit NOVEMBER, 2005