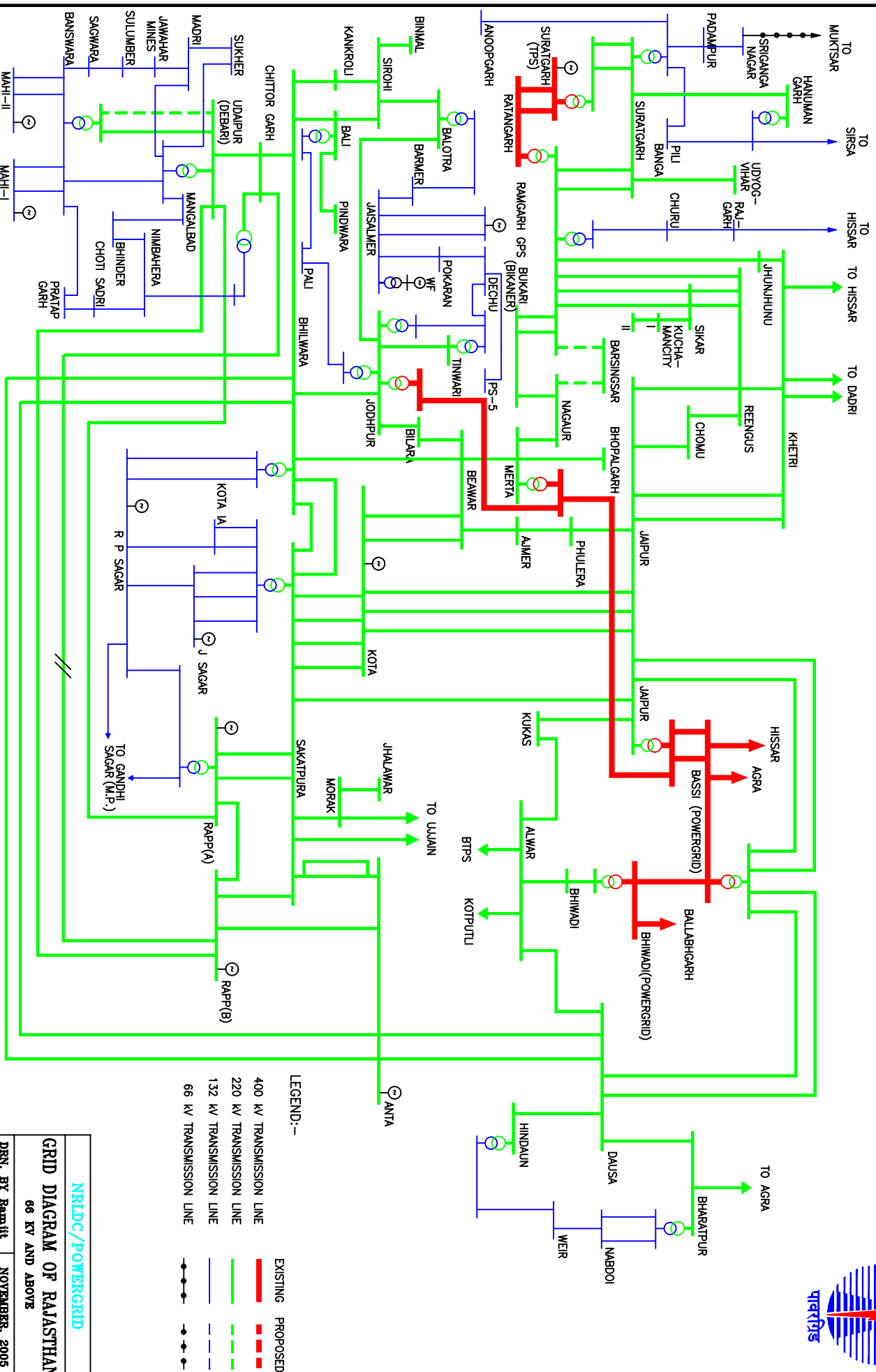
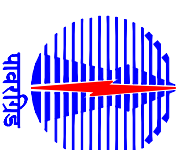


# GRID DIAGRAM OF RAJASTHAN



LEGEND:-

- 400 kV TRANSMISSION LINE
- 220 kV TRANSMISSION LINE
- 132 kV TRANSMISSION LINE
- 66 kV TRANSMISSION LINE
- EXISTING
- PROPOSED

NRIIDC/POWERGRID

GRID DIAGRAM OF RAJASTHAN  
66 KV AND ABOVE

DRN. BY Ranjit NOVEMBER, 2005